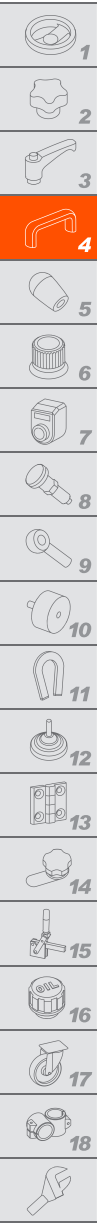


GN 328.5 | Bridge handles

AISI 316 stainless steel



MATERIAL

AISI 316 stainless steel, sandblasted matte finish.

STANDARD EXECUTIONS

- **GN 328.5-A:** back mounting, threaded blind holes.
- **GN 328.5-B:** Front mounting, pass-through holes for cylindrical-head screws with hexagon socket.

FEATURES AND APPLICATIONS

The GN 328.5 bridge handles are characterised by high stability and an ergonomic design.

The finger recesses on the underside of the handle offer a particularly comfortable grip.

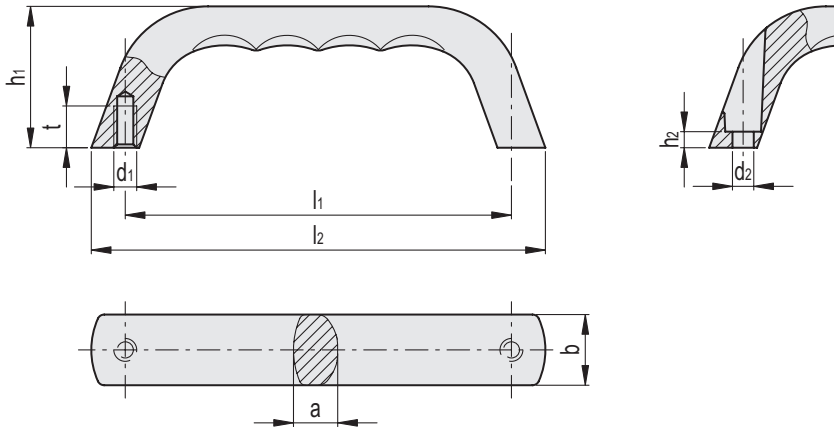
SPECIAL EXECUTIONS ON REQUEST

Different finishes.



GN 328.5-A

GN 328.5-B



GN 328.5-A



Code	Description	$l1 \pm 0.25$	$l2$	$d1$	b	a	$h1$	t	Δ
GN.25901	GN 328.5-120-A-GS	120	141.2	M6	22	14	44	13	318
GN.25911	GN 328.5-140-A-GS	140	166.5	M8	28	18	55	17	601

GN 328.5-B



Code	Description	$l1 \pm 0.25$	$l2$	$d2$	b	a	$h1$	$h2$	Δ
GN.25906	GN 328.5-120-B-GS	120	141.2	6.5	22	14	44	5	293
GN.25916	GN 328.5-140-B-GS	140	166.5	8.5	28	18	55	6	523

Handles

2